

Архангельск (8182)63-90-72  
Астана (7172)727-132  
Астрахань (8512)99-46-04  
Барнаул (3852)73-04-60  
Белгород (4722)40-23-64  
Брянск (4832)59-03-52  
Владивосток (423)249-28-31  
Волгоград (844)278-03-48  
Вологда (8172)26-41-59  
Воронеж (473)204-51-73  
Екатеринбург (343)384-55-89  
Иваново (4932)77-34-06

Ижевск (3412)26-03-58  
Иркутск (395)279-98-46  
Казань (843)206-01-48  
Калининград (4012)72-03-81  
Калуга (4842)92-23-67  
Кемерово (3842)65-04-62  
Киров (8332)68-02-04  
Краснодар (861)203-40-90  
Красноярск (391)204-63-61  
Курск (4712)77-13-04  
Липецк (4742)52-20-81  
Киргизия (996)312-96-26-47

Магнитогорск (3519)55-03-13  
Москва (495)268-04-70  
Мурманск (8152)59-64-93  
Набережные Челны (8552)20-53-41  
Нижний Новгород (831)429-08-12  
Новокузнецк (3843)20-46-81  
Новосибирск (383)227-86-73  
Омск (3812)21-46-40  
Орел (4862)44-53-42  
Оренбург (3532)37-68-04  
Пенза (8412)22-31-16  
Казахстан (772)734-952-31

Пермь (342)205-81-47  
Россия (495)268-04-70  
Ростов-на-Дону (863)308-18-15  
Рязань (4912)46-61-64  
Самара (846)206-03-16  
Санкт-Петербург (812)309-46-40  
Саратов (845)249-38-78  
Севастополь (8692)22-31-93  
Симферополь (3652)67-13-56  
Смоленск (4812)29-41-54  
Сочи (862)225-72-31  
Ставрополь (8652)20-65-13

Сургут (3462)77-98-35  
Тверь (4822)63-31-35  
Томск (3822)98-41-53  
Тула (4872)74-02-29  
Тюмень (3452)66-21-18  
Ульяновск (8422)24-23-59  
Уфа (347)229-48-12  
Хабаровск (4212)92-98-04  
Челябинск (351)202-03-61  
Череповец (8202)49-02-64  
Ярославль (4852)69-52-93

<https://hoshizaki.nt-rt.ru/> || [hzo@nt-rt.ru](mailto:hzo@nt-rt.ru)

MODULAR ICE MAKER  
MACHINE A GLACE MODULAIRE  
EISBEREITER FÜR SEPARATEN VORRATSBEHÄLTER  
IJSMACHINE MET LOSSE OPSLAGBUNKER  
MAQUINA DE CUBITOS MODULAR  
FABBRICATORE MODULARE DI GHIACCIO

## INSTRUCTION MANUAL

(original instructions)

## NOTICE D'UTILISATION

(instructions traduites)

## BEDIENUNGSANLEITUNG

(Übersetzung)

## GEBRUIKSAANWIJZING

(vertaalde instructies)

## MANUAL DE INSTRUCCIONES

(instrucciones traducidas)

## MANUALE D'ISTRUZIONI

(traduzione)

FM-1000AKE  
FM-1000AKE-N  
FM-750AKE  
FM-750AKE-N  
FM-600AKE  
FM-600AKE-N  
FM-600AWKE  
FM-600AWKE-N  
FM-480AKE  
FM-480AKE-N  
FM-480AWKE  
FM-480AWKE-N  
FM-300AKE  
FM-300AKE-N  
FM-170AKE  
FM-170AKE-N



FM-480AKE

FOR END USER  
POUR UTILISATEUR  
FÜR DEN ENDKUNDEN  
VOOR DE GEBRUIKER  
PARA USUARIO  
PER L'UTENTE FINALE

### HOSHIZAKI EUROPE LIMITED

Telford 70 Stafford Park 7, Telford, Shropshire TF3 3BQ UK

L1F054207 (012717)

<b>ENGLISH</b>	IMPORTANT SAFETY INFORMATION .....	1
	I. INSTALLATION INSTRUCTIONS.....	3
	1. CONSTRUCTION.....	3
	2. LOCATION.....	3
	3. ELECTRICAL CONNECTIONS.....	3
	4. WATER SUPPLY AND DRAIN CONNECTIONS .....	4
	II. OPERATING INSTRUCTIONS.....	4
	1. START UP.....	5
	2. SHUT DOWN .....	5
	3. PREPARING THE ICEMAKER FOR LONG STORAGE.....	5
	III. MAINTENANCE .....	6
	1. CLEANING .....	6
	2. INSPECTION AND MAINTENANCE.....	7
	3. BEFORE CALLING FOR SERVICE.....	7
	4. DISPOSAL.....	8
	5. WARRANTY.....	8
	SPECIFICATIONS.....	9
<b>FRANCAIS</b>	INFORMATIONS DE SECURITE IMPORTANTES .....	12
	I. CONSIGNES D'INSTALLATION.....	14
	1. CONSTRUCTION.....	14
	2. EMBLACEMENT .....	14
	3. BRANCHEMENTS ELECTRIQUES.....	14
	4. BRANCHEMENTS D'ARRIVEE ET DE VIDANGE D'EAU.....	15
	II. CONSIGNES D'UTILISATION .....	15
	1. MISE EN MARCHE .....	16
	2. ARRET .....	16
	3. PREPARATION DU DISTRIBUTEUR DE GLACE EN VUE D'UN ENTREPOSAGE DE LONGUE DUREE.....	16
	III. ENTRETIEN.....	17
	1. NETTOYAGE .....	17
	2. INSPECTION ET ENTRETIEN.....	18
	3. AVANT D'APPELER UN REPARATEUR.....	18
	4. MISE AU REBUT.....	19
	5. GARANTIE .....	19
	SPECIFICATIONS.....	20
<b>DEUTSCH</b>	WICHTIGE SICHERHEITSHINWEISE .....	24
	I. INSTALLATIONSANLEITUNG.....	26
	1. KONSTRUKTION .....	26
	2. AUFSTELLORT .....	26
	3. ELEKTRISCHE ANSCHLÜSSE .....	26
	4. WASSERZULAUF- UND WASSERABLAUFANSCHLÜSSE .....	27
	II. BEDIENUNGSANLEITUNG.....	27
	1. INBETRIEBNAHME.....	28
	2. AUSSCHALTEN.....	28
	3. MASSNAHMEN FÜR DIE LANGFRISTIGE LAGERUNG DES EISSPENDERS.....	28
	III. WARTUNG.....	29
	1. REINIGUNG .....	29
	2. INSPEKTION UND WARTUNG .....	30
	3. VOR ANRUF DES KUNDENDIENSTES.....	30
	4. ENTSORGUNG.....	31
	5. GEWÄHRLEISTUNG .....	31
	TECHNISCHE DATEN .....	32

<b>NEDERLANDS</b>	BELANGRIJKE VEILIGHEIDSGEGEVENS ..... 36	36
	I. INSTALLATIE-INSTRUCTIES ..... 38	38
	1. CONSTRUCTIE..... 38	38
	2. PLAATSING ..... 38	38
	3. ELEKTRISCHE AANSLUITINGEN..... 38	38
	4. AANSLUITING VAN WATERTOevoER- EN WATERAFvoERLEIDINGEN ..... 39	39
	II. BEDIENINGSINSTRUCTIES ..... 39	39
	1. OPSTARTEN..... 40	40
	2. UITZETTEN..... 40	40
	3. DE IJSMAKER GEREEDMAKEN VOOR LANGDURIGE OPSLAG ..... 40	40
	III. ONDERHOUD..... 41	41
	1. REINIGEN ..... 41	41
	2. INSPECTIE EN ONDERHOUD ..... 42	42
	3. VOORDAT U BELT VOOR SERVICE..... 42	42
	4. VERWIJDERING ..... 43	43
	5. GARANTIE ..... 43	43
	SPECIFICATIES ..... 44	44
<b>ESPAÑOL</b>	INFORMACIÓN IMPORTANTE DE SEGURIDAD ..... 48	48
	I. INSTRUCCIONES DE INSTALACIÓN ..... 50	50
	1. CONSTRUCCIÓN ..... 50	50
	2. UBICACIÓN..... 50	50
	3. CONEXIONES ELÉCTRICAS..... 50	50
	4. SUMINISTRO DE AGUA Y CONEXIONES DE DRENAJE..... 51	51
	II. INSTRUCCIONES DE UTILIZACIÓN ..... 51	51
	1. PUESTA EN MARCHA..... 52	52
	2. DESCONEXIÓN ..... 52	52
	3. PREPARACIÓN DE LA MÁQUINA DE HIELO PARA UN ALMACENAMIENTO PROLONGADO..... 52	52
	III. MANTENIMIENTO ..... 53	53
	1. LIMPIEZA ..... 53	53
	2. REVISIÓN Y MANTENIMIENTO..... 54	54
	3. ANTES DE LLAMAR AL SERVICIO TÉCNICO ..... 54	54
	4. ELIMINACIÓN ..... 55	55
	5. GARANTÍA ..... 55	55
	ESPECIFICACIONES..... 56	56
<b>ITALIANO</b>	INFORMAZIONI IMPORTANTI SULLA SICUREZZA..... 60	60
	I. ISTRUZIONI PER L'INSTALLAZIONE..... 62	62
	1. COMPONENTI ..... 62	62
	2. UBICAZIONE..... 62	62
	3. COLLEGAMENTI ELETTRICI ..... 62	62
	4. COLLEGAMENTO DI ALIMENTAZIONE DELL'ACQUA E COLLEGAMENTO DI SCARICO ..... 63	63
	II. ISTRUZIONI DI FUNZIONAMENTO ..... 63	63
	1. AVVIO..... 64	64
	2. ARRESTO ..... 64	64
	3. PREPARATIVI PER IL LUNGO IMMAGAZZINAGGIO DELLA MACCHINA..... 64	64
	III. MANUTENZIONE ..... 65	65
	1. PULIZIA ..... 65	65
	2. CONTROLLO E MANUTENZIONE..... 66	66
	3. PRIMA DI RIVOLGERSI ALL'ASSISTENZA ..... 66	66
	4. SMALTIMENTO..... 67	67
	5. GARANZIA ..... 67	67
	SPECIFICHE ..... 68	68

**IMPORTANT SAFETY INFORMATION**

Throughout this manual, notices appear to bring your attention to situations which could result in death, serious injury, or damage to the unit.

<b>▲WARNING</b>	Indicates a hazardous situation which, if not avoided, could result in death or serious injury.
<b>▲CAUTION</b>	Indicates a hazardous situation which, if not avoided, could result in minor or moderate injury.
<b>NOTICE</b>	Indicates a hazardous situation which, if not avoided, could result in damage to the unit.
<b>▲HYGIENE</b>	Indicates important precautions for hygiene and food safety.
<b>IMPORTANT</b>	Indicates important information about the use and care of the unit.

<b>IMPORTANT</b>	
This booklet is an integral and essential part of the product and should be kept and preserved by the user.	
Please read carefully the guidelines and warnings contained herein as they are intended to provide the user with essential information for the continued safe use and maintenance of the product. In addition, it provides GUIDANCE ONLY to the user on the correct services and site location of the icemaker.	
Please preserve this booklet for any further consultation that may be necessary.	

<b>▲WARNING</b>	
This is a commercial icemaker, and should be destined only to be used for the purpose for which it has been expressly designed and attached to a suitable storage bin as specified by Hoshizaki. Any other use should be considered improper and therefore dangerous. The manufacturer will not be held liable or responsible for any damage caused by improper, incorrect and unreasonable use.	
<b>The installation, and relocation if necessary, must be carried out by qualified personnel, in accordance with current regulations, according to the manufacturer's instructions.</b>	
Keep ventilation openings, in the appliance enclosure or in the built-in structure, clear of obstruction.	

# ENGLISH

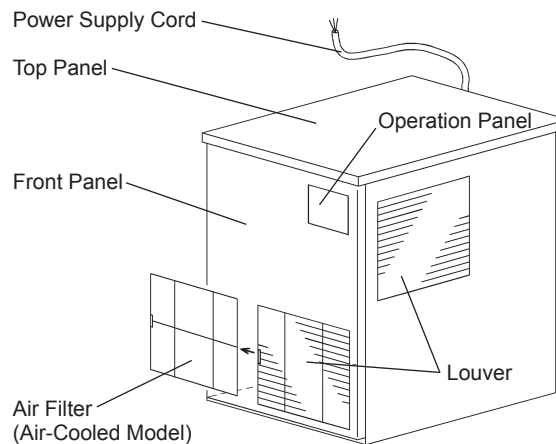
---

The use of any electrical appliance involves the observance of some fundamental rules. In particular:

- \* Instances of high humidity and moisture increase the risk of electrical short circuits and potential electrical shocks. If in doubt, disconnect the icemaker.
- \* Do not damage the power cord or pull it in order to disconnect the icemaker from the electrical supply network.
- \* [FM-1000, 600]  
If the supply cord and/or the plug should need to be replaced, it should only be done by a qualified service engineer.  
[FM-750, 480, 300, 170]  
If the supply cord is damaged, it must be replaced by a replacement cord available from Hoshizaki Parts/Service Centres.
- \* Do not touch the electrical parts or operate the switches with damp hands.
- \* This appliance is not intended for use by persons (including children) with reduced physical, sensory or mental capabilities, or lack of experience and knowledge, it can however be used by children aged from 8 years and above and persons with reduced physical, sensory or mental capabilities, or lack of experience and knowledge providing they have been given supervision or instruction concerning use of the appliance by a person responsible for their safety.
- \* Children shall not play with the appliance.
- \* Cleaning and user maintenance shall not be made by children without supervision.
- \* Do not attempt to modify the icemaker. Only qualified personnel may disassemble or repair the appliance.

## I. INSTALLATION INSTRUCTIONS

### 1. CONSTRUCTION



### 2. LOCATION

#### ⚠ WARNING

This icemaker is not intended for outdoor use.

The icemaker should not be located next to ovens, grills or other high heat producing equipment.

This appliance is not suitable for installation in an area where a water jet could be used.

#### ⚠ CAUTION

The location should provide a firm and level foundation for the icemaker.

#### NOTICE

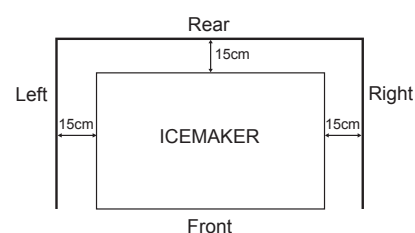
Do not place anything on top of the icemaker or in front of the louver.

#### IMPORTANT

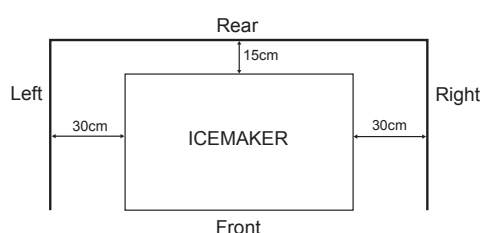
Normal operating ambient temperature should be within 5°C to 40°C. Water connection is cold water only. Operation of the icemaker, for extended periods, outside of these normal temperature ranges may affect production capacity.

Allow the clearance specified below for proper air circulation and ease of maintenance and/or service should they be required.

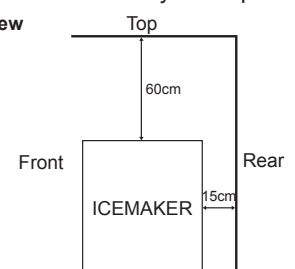
Top View (except FM-600AKE)



Top View (FM-600AKE only)



Side View



In some high humidity environments, condensation may form inside the machine and drip onto the floor. Do not install where the floor can be affected by water.

### 3. ELECTRICAL CONNECTIONS

#### ⚠ WARNING

#### THIS APPLIANCE MUST BE EARTHED

This icemaker requires an earth that meets the national and local electrical code requirements.

Disconnect the main power supply before any maintenance, repairs or cleaning is undertaken.

\* Usually an electrical permit and services of a licensed electrician are required.

# ENGLISH

## For the U.K. and the Republic of Ireland only

- \* The wires in the mains lead are coloured in accordance with the following code:  
Green & Yellow = Earth  
Blue = Neutral  
Brown = Live

As the colours of the wire in the mains lead of this appliance may not correspond with the coloured markings identifying the terminals in your plug, proceed as follows:

The wire which is coloured Green-and-Yellow must be connected to the terminal in the plug which is marked with the letter E or by the symbol  $\perp$  or coloured Green or Green-and-Yellow. The wire which is coloured Blue must be connected to the terminal which is marked with the letter N or coloured Black. The wire which is coloured Brown must be connected to the terminal which is marked with the letter L or coloured Red.

- \* Should the socket outlets in the installation site not be suitable for the plug supplied with your product, the plug must be removed (cut off if it is moulded on plug) and an appropriate plug fitted.

If the non-rewirable plug has been cut from the power supply cord, it must be disposed of. There should be no attempt to reuse it. Inserting such a plug into a socket elsewhere presents a serious risk of electrical shock.

- \* The non-rewirable plug must never be used without a fuse cover being fitted.

The correct replacement for the detachable fuse cover is identifiable from the manufacturer's reference number stamped on the plug.

Supply of replacement fuse covers can be obtained from Hoshizaki Parts/Service Centres.

Fuses should be rated at 13A and approved to BS 1362.

## 4. WATER SUPPLY AND DRAIN CONNECTIONS

### ⚠ WARNING

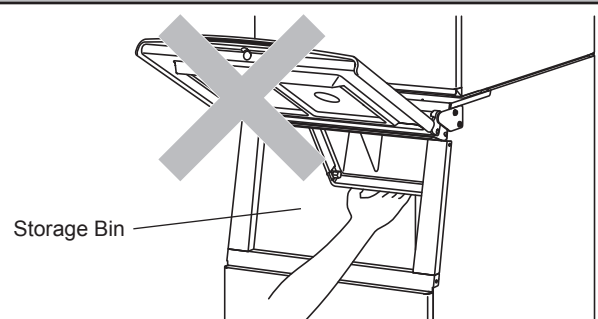
Connect to potable cold water supply only.

- \* The connections to the mains water supply must be made in accordance with the countries' current requirements of the Water Supply or Water Fittings Regulations.
- \* Icemaking water must be potable water. Where scaling can be caused by water quality, installation of an external filter or softener is recommended. Contact your local water treatment professional or Hoshizaki service agent.
- \* A plumbing permit and services of a licensed plumber may be required in some areas.

## II. OPERATING INSTRUCTIONS

### ⚠ CAUTION

Do not step into the storage bin, or put your hands into the machine compartment inside the storage bin. Children can get trapped inside, or the icemaking mechanism may suddenly move, resulting in injury.



### NOTICE

All parts are factory-adjusted. Improper adjustments may result in failure.

If the unit is turned off, wait for at least 3 minutes before restarting the icemaker to prevent damage to the compressor.

## ▲HYGIENE

This icemaker is designed to produce edible ice. To keep the icemaker hygienic:

- \* Wash your hands before removing ice. Use the plastic scoop provided (accessory).
- \* The storage bin is for ice use only. Do not store anything else in the bin nor use other electrical appliances in the bin.
- \* Clean the storage bin before use (see "III. 1. CLEANING").
- \* Keep the scoop clean. Clean it by using a neutral cleaner and rinse thoroughly.
- \* Close the door after removing ice to prevent entrance of dirt, dust or insects into the storage bin.

## 1. START UP

The installer will normally commission the icemaker to start the automatic icemaking process. To ensure continuous operation, make sure that:

- \* The water supply tap is on, and
- \* The icemaker is connected to the power supply.

To start the icemaking process, check the position of the operation switch on the operation panel:

"OFF" position - Move it to the "ON" position.

"ON" position - Press the ice button.

## 2. SHUT DOWN

Push the stop button on the operation panel. The display will blink in the "STOP" mode for 15 minutes during the drain control operation and will start to illuminate constantly at the end of drain control.

## 3. PREPARING THE ICEMAKER FOR LONG STORAGE

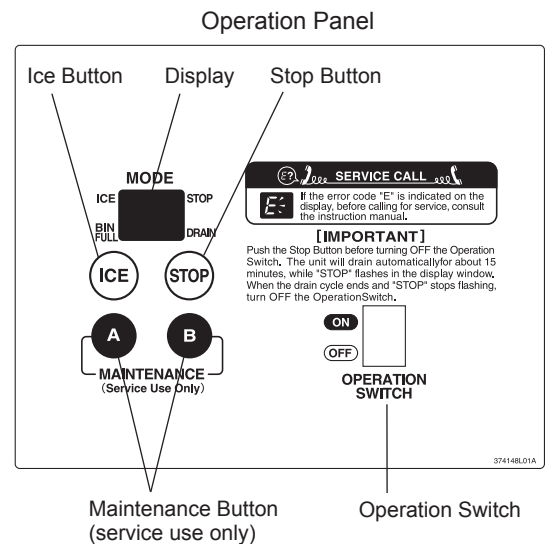
### NOTICE

This icemaker will not work at subfreezing temperatures. To prevent damage to the water supply line, drain the icemaker when air temperature is below zero.

## ▲HYGIENE

When shutting down the icemaker for two or more days, drain the icemaker to prevent contamination in the water circuit.

- 1) Follow the instructions in "2. SHUT DOWN".
- 2) Close the water supply line shut-off valve.
- 3) Open the drain valve.
- 4) Press the ice button on the operation panel to drain the water circuit.
- 5) When no more water comes out of the drain valve, press the stop button.
- 6) Move the operation switch to the "OFF" position, and disconnect the power supply.
- 7) Close the drain valve.
- 8) Remove all ice from the storage bin, and clean the bin.





## III. MAINTENANCE

### 1. CLEANING

#### ⚠ WARNING

Before carrying out any cleaning or maintenance operations, unplug the icemaker from the electrical supply network.

This appliance must not be cleaned by use of a water jet.

#### ⚠ CAUTION

When using a neutral cleaner or sodium hypochlorite, thoroughly read and understand the instructions provided to prevent potential health problems.

#### NOTICE

Ask a trained service person to clean and sanitise the icemaker water system at least twice a year and to check and clean the condenser at least once a year.

To prevent possible damage, do not clean the plastic parts with water above 40°C or in a dishwasher.

#### [a] Machine and Bin Exterior

Wipe the exterior at least once per week with a clean, soft cloth. Use a damp cloth containing a neutral cleaner to wipe off grease or dirt.

#### [b] Scoop and Storage Bin Handle Cleaning/Sanitisation (Daily)

1) Either mix 1 litre of water with 4 ml of 5.25% sodium hypochlorite solution in a suitable container, or the recommended Hoshizaki sanitiser as directed.

2) Soak the scoop in the solution for more than 3 minutes. Rinse thoroughly, and shake to remove surplus liquid.

Note: Using a cloth to dry may re-contaminate.

3) Use a neutral cleaner to wash the storage bin handle. Rinse thoroughly.

4) Soak a clean cloth with the sanitising solution, and wipe the handle. Use fresh water and a clean cloth to rinse/dry.

#### [c] Storage Bin Interior Cleaning/Sanitisation (Weekly)

1) Open the storage bin door, and remove all ice.

Note: Hoshizaki recommends various types of storage bin for the icemaker which vary in size and design. The following instructions are therefore for general guidance only.

2) Remove the thumbscrews securing the baffle.

3) Remove the baffle from the bin.

4) Wash the bin liner, and baffle with a neutral non-abrasive cleaner. Rinse thoroughly.

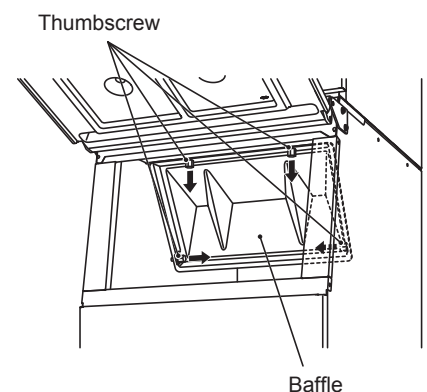
5) Either mix 5 litres of water with 18 ml of 5.25% sodium hypochlorite solution in a suitable container, or the recommended Hoshizaki sanitiser as directed.

6) Soak a clean sponge or cloth with the solution, and wipe the bin liner surfaces, and baffle.

7) Refit the baffle and thumbscrews. Wipe the surface of the bin door and thumbscrews with the solution. Close the bin door.

8) The remaining solution can be used to sanitise utensils.

Note: Do not wipe dry or rinse after sanitising, but allow to air dry.



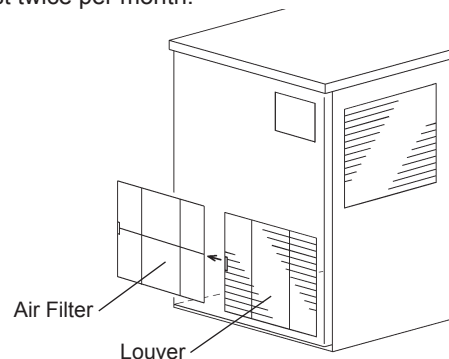
## [d] Storage Bin Door

Clean the storage bin door at least once a week, using a neutral non-abrasive cleaner. Rinse thoroughly after cleaning and sanitise as required.

## [e] Air Filter (Air-Cooled Model Only)

Plastic mesh air filters remove dirt or dust from the air, and keep the condenser from getting clogged. If the filters get clogged, the icemaker's performance will be reduced. Remove and clean the air filter(s) at least twice per month:

- 1) Slide the air filter off the louver.
- 2) Clean the air filter by using a vacuum cleaner. When severely clogged, use warm water and a neutral cleaner to wash the air filter.
- 3) Rinse and dry the air filter thoroughly.



### NOTICE

After cleaning, be sure to place the air filter back in position.

## 2. INSPECTION AND MAINTENANCE

### NOTICE

To achieve optimum icemaker performance, the following parts need periodic inspection and maintenance:

- Extruding head (upper bearing)
- Housing (lower bearing)
- Mechanical seal

These parts should be inspected after two years from installation or 10,000 hours of operation, whichever comes first, and once a year afterwards. Replacement of these parts is required if wear exceeds factory recommendations.

Their service life, however, depends on water quality and environment. More frequent inspection and maintenance are recommended in bad or severe water conditions.

Consult with your local Hoshizaki service agent about inspection and maintenance service.

## 3. BEFORE CALLING FOR SERVICE

### ⚠ WARNING

Do not damage the refrigerant circuit.

## [a] Error Code Indication

If the error code "E" is indicated on the display, before calling for service, check the following.

Code	Remedy
<b>E0</b>	Possibility of water leaks. Turn OFF operation switch, and turn it ON again. If error code appears again, call for service.
<b>E1</b>	Low ice production. Turn OFF operation switch, and turn it ON again. If error code appears again, call for service.
<b>E2</b>	Water supply circuit failure. Turn OFF operation switch, and turn it ON again. If error code appears again, call for service.
<b>E3</b>	Gear motor failure. Turn OFF operation switch, and turn it ON again after 10 minutes. If error code appears again, call for service.
<b>E4</b>	Abnormal high side pressure. Clean air filter. Check that icemaker is properly installed according to installation manual. Turn OFF operation switch, and turn it ON again. If error code appears again, call for service.
<b>E5</b>	Electric circuit failure. Turn OFF operation switch, and turn it ON again. If error code appears again, call for service.

# ENGLISH

<b>E8</b>	Compressor could be overheated. Check that icemaker is properly installed according to installation manual. Turn OFF operation switch, and turn it ON again after 10 minutes. If error code appears again, call for service.
<b>EA</b>	Electric circuit failure. Turn OFF operation switch, and turn it ON again. If error code appears again, call for service.
<b>Eb</b>	Electric circuit failure. Turn OFF operation switch, and turn it ON again. If error code appears again, call for service.
<b>EC</b>	Electric circuit failure. Turn OFF operation switch, and turn it ON again. If error code appears again, call for service.
<b>EE</b>	Gear motor failure. Turn OFF operation switch, and turn it ON again. If error code appears again, call for service.
<b>EF</b>	Supply voltage is too low. Check that voltage is in required range and icemaker is not sharing a single receptacle with other appliances. Turn OFF operation switch, and turn it ON again. If error code appears again, call for service.
<b>EH</b>	Electric circuit failure. Turn OFF operation switch, and turn it ON again. If error code appears again, call for service.
<b>EL</b>	Bin control switch has failed. Turn OFF operation switch, and turn it ON again. If error code appears again, call for service.
<b>En</b>	Electric circuit failure. Turn OFF operation switch, and turn it ON again. If error code appears again, call for service.
<b>EU</b>	Controller board failure. Turn OFF operation switch, and turn it ON again. If error code appears again, call for service.

## [b] No Error Code Indication

If the icemaker does not work properly or does not work at all and no error code is indicated on the display, before calling for service, check that:

- \* The power is supplied to the unit.
- \* The water is turned on.
- \* The air filter is clean.

For further assistance or advice, contact your local Hoshizaki service agent.

## 4. DISPOSAL

Comply with local regulations regarding disposal of this appliance and its refrigerant gas. Before you scrap the appliance, take off the door to prevent children trapped.

Correct disposal of this product:

This marking indicates that this product should not be disposed with other household wastes throughout the EU. To prevent possible harm to the environment or human health from uncontrolled waste disposal, recycle it responsibly to promote the sustainable reuse of material resources. To return your used device, use the return and collection systems or contact the retailer where the product was purchased. They can take this product for environmental safe recycling.



## 5. WARRANTY

Hoshizaki warrants to the original owner/user that all Hoshizaki branded products shall be free of defects in material and/or workmanship for the duration of the "warranty period". The warranty shall be effective for two years from the date of installation. Hoshizaki's liability under the terms of the warranty are limited and shall exclude routine servicing, cleaning, essential maintenance and/or repairs occasioned by misuse and installations not in accordance with Hoshizaki guidelines.

Warranty repairs should be completed by an approved Hoshizaki dealer or service agency using genuine Hoshizaki components.

To obtain full details of your warranty and approved service agency, please contact your dealer/supplier, or the nearest Hoshizaki Service office:

### Europe, Middle East, Africa

Hoshizaki UK - UK, Ireland  
TEL: +44 845 456 0585  
FAX: +44 132 283 8331  
uksales@hoshizaki.co.uk

Hoshizaki Middle East - Middle East  
TEL: +971 48 876 612  
FAX: +971 48 876 613  
sales@hoshizaki.ae

# ENGLISH

Model	FM-600AKE	FM-600AKE-N
Type	Air-cooled, flake ice	Air-cooled, nugget ice
Power Supply	1 phase 220-240V 50Hz / 220-230V 60Hz	1 phase 220-240V 50Hz / 220-230V 60Hz
Electric Consumption	1900W / 2160W	1950W / 2220W
Ice Production per 24h	600kg / 655kg (ambient 10°C, water 10°C)	530kg / 575kg (ambient 10°C, water 10°C)
Dimensions	560mm(W) x 700mm(D) x 780mm(H)	560mm(W) x 700mm(D) x 780mm(H)
Refrigerant	R404A, 1.3kg (GWP: 3920, CO2: 5.096t)	R404A, 1.3kg (GWP: 3920, CO2: 5.096t)
Insulation Foam Blowing Agent	HFC-free	HFC-free
Weight	Net: 107kg (Gross: 114kg)	Net: 107kg (Gross: 114kg)
Ambient Temp	5 - 40°C	5 - 40°C
Water Supply Temp	5 - 35°C	5 - 35°C
Water Supply Pressure	0.05 - 0.8 MPa (0.5 - 8 bar)	0.05 - 0.8 MPa (0.5 - 8 bar)
Voltage Range	Rated voltage $\pm$ 10%	Rated voltage $\pm$ 10%

Model	FM-600AWKE	FM-600AWKE-N
Type	Water-cooled, flake ice	Water-cooled, nugget ice
Power Supply	1 phase 220-240V 50Hz	1 phase 220-240V 50Hz
Electric Consumption	1705W	1760W
Ice Production per 24h	600kg (ambient 10°C, water 10°C)	490kg (ambient 10°C, water 10°C)
Dimensions	560mm(W) x 700mm(D) x 780mm(H)	560mm(W) x 700mm(D) x 780mm(H)
Refrigerant	R404A, 0.7kg (GWP: 3920, CO2: 2.744t)	R404A, 0.7kg (GWP: 3920, CO2: 2.744t)
Insulation Foam Blowing Agent	HFC-free	HFC-free
Weight	Net: 107kg (Gross: 144kg)	Net: 107kg (Gross: 144kg)
Ambient Temp	5 - 40°C	5 - 40°C
Water Supply Temp	5 - 35°C	5 - 35°C
Water Supply Pressure	0.05 - 0.8 MPa (0.5 - 8 bar)	0.05 - 0.8 MPa (0.5 - 8 bar)
Voltage Range	Rated voltage $\pm$ 10%	Rated voltage $\pm$ 10%

Model	FM-480AKE	FM-480AKE-N
Type	Air-cooled, flake ice	Air-cooled, nugget ice
Power Supply	1 phase 220-240V 50Hz / 220-230V 60Hz	1 phase 220-240V 50Hz / 220-230V 60Hz
Electric Consumption	1650W / 1590W	1650W / 1590W
Ice Production per 24h	500kg (ambient 10°C, water 10°C)	430kg (ambient 10°C, water 10°C)
Dimensions	560mm(W) x 700mm(D) x 780mm(H)	560mm(W) x 700mm(D) x 780mm(H)
Refrigerant	R404A, 0.6kg (GWP: 3920, CO2: 2.352t)	R404A, 0.6kg (GWP: 3920, CO2: 2.352t)
Insulation Foam Blowing Agent	HFC-free	HFC-free
Weight	Net: 95kg (Gross: 102kg)	Net: 95kg (Gross: 102kg)
Ambient Temp	5 - 40°C	5 - 40°C
Water Supply Temp	5 - 35°C	5 - 35°C
Water Supply Pressure	0.05 - 0.8 MPa (0.5 - 8 bar)	0.05 - 0.8 MPa (0.5 - 8 bar)
Voltage Range	Rated voltage $\pm$ 10%	Rated voltage $\pm$ 10%

Model	FM-480AWKE	FM-480AWKE-N
Type	Water-cooled, flake ice	Water-cooled, nugget ice
Power Supply	1 phase 220-240V 50Hz	1 phase 220-240V 50Hz
Electric Consumption	1385W	1450W
Ice Production per 24h	420kg (ambient 10°C, water 10°C)	380kg (ambient 10°C, water 10°C)
Dimensions	560mm(W) x 700mm(D) x 780mm(H)	560mm(W) x 700mm(D) x 780mm(H)
Refrigerant	R404A, 0.37kg (GWP: 3920, CO2: 1.450t)	R404A, 0.37kg (GWP: 3920, CO2: 1.450t)
Insulation Foam Blowing Agent	HFC-free	HFC-free
Weight	Net: 95kg (Gross: 102kg)	Net: 95kg (Gross: 102kg)
Ambient Temp	5 - 40°C	5 - 40°C
Water Supply Temp	5 - 35°C	5 - 35°C
Water Supply Pressure	0.05 - 0.8 MPa (0.5 - 8 bar)	0.05 - 0.8 MPa (0.5 - 8 bar)
Voltage Range	Rated voltage ± 10%	Rated voltage ± 10%

Model	FM-300AKE	FM-300AKE-N
Type	Air-cooled, flake ice	Air-cooled, nugget ice
Power Supply	1 phase 220-240V 50Hz / 220-230V 60Hz	1 phase 220-240V 50Hz / 220-230V 60Hz
Electric Consumption	1000W / 1180W	1000W / 1200W
Ice Production per 24h	320kg / 340kg (ambient 10°C, water 10°C)	270kg / 290kg (ambient 10°C, water 10°C)
Dimensions	560mm(W) x 700mm(D) x 780mm(H)	560mm(W) x 700mm(D) x 780mm(H)
Refrigerant	R404A, 0.46kg (GWP: 3920, CO2: 1.803t)	R404A, 0.46kg (GWP: 3920, CO2: 1.803t)
Insulation Foam Blowing Agent	HFC-free	HFC-free
Weight	Net: 80kg (Gross: 87kg)	Net: 80kg (Gross: 87kg)
Ambient Temp	5 - 40°C	5 - 40°C
Water Supply Temp	5 - 35°C	5 - 35°C
Water Supply Pressure	0.05 - 0.8 MPa (0.5 - 8 bar)	0.05 - 0.8 MPa (0.5 - 8 bar)
Voltage Range	Rated voltage ± 10%	Rated voltage ± 10%

Model	FM-170AKE	FM-170AKE-N
Type	Air-cooled, flake ice	Air-cooled, nugget ice
Power Supply	1 phase 220-240V 50Hz / 220-230V 60Hz	1 phase 220-240V 50Hz / 220-230V 60Hz
Electric Consumption	600W / 675W	620W / 695W
Ice Production per 24h	170kg / 180kg (ambient 10°C, water 10°C)	160kg / 165kg (ambient 10°C, water 10°C)
Dimensions	560mm(W) x 700mm(D) x 780mm(H)	560mm(W) x 700mm(D) x 780mm(H)
Refrigerant	R134a, 0.37kg (GWP: 1430, CO2: 0.529t)	R134a, 0.37kg (GWP: 1430, CO2: 0.529t)
Insulation Foam Blowing Agent	HFC-free	HFC-free
Weight	Net: 68kg (Gross: 75kg)	Net: 68kg (Gross: 75kg)
Ambient Temp	5 - 40°C	5 - 40°C
Water Supply Temp	5 - 35°C	5 - 35°C
Water Supply Pressure	0.05 - 0.8 MPa (0.5 - 8 bar)	0.05 - 0.8 MPa (0.5 - 8 bar)
Voltage Range	Rated voltage ± 10%	Rated voltage ± 10%

Note: The above specifications are for the representative models.

**This product includes a hermetically sealed refrigeration system that contains fluorinated greenhouse gases.**

## SPECIFICATIONS

Model	FM-1000AKE	FM-1000AKE-N
Type	Air-cooled, flake ice	Air-cooled, nugget ice
Power Supply	1 phase 220-240V 50Hz	1 phase 220-240V 50Hz
Electric Consumption	2490W	2550W
Ice Production per 24h	1030kg (ambient 10°C, water 10°C)	860kg (ambient 10°C, water 10°C)
Dimensions	762mm(W) x 700mm(D) x 780mm(H)	762mm(W) x 700mm(D) x 780mm(H)
Refrigerant	R404A, 1.35kg (GWP: 3920, CO2: 5.292t)	R404A, 1.35kg (GWP: 3920, CO2: 5.292t)
Insulation Foam Blowing Agent	HFC-free	HFC-free
Weight	Net: 146kg (Gross: 156kg)	Net: 146kg (Gross: 156kg)
Ambient Temp	5 - 40°C	5 - 40°C
Water Supply Temp	5 - 35°C	5 - 35°C
Water Supply Pressure	0.05 - 0.8 MPa (0.5 - 8 bar)	0.05 - 0.8 MPa (0.5 - 8 bar)
Voltage Range	Rated voltage ± 10%	Rated voltage ± 10%

Model	FM-750AKE	FM-750AKE-N
Type	Air-cooled, flake ice	Air-cooled, nugget ice
Power Supply	1 phase 220-240V 50Hz	1 phase 220-240V 50Hz
Electric Consumption	1880W	2010W
Ice Production per 24h	750kg (ambient 10°C, water 10°C)	590kg (ambient 10°C, water 10°C)
Dimensions	762mm(W) x 700mm(D) x 780mm(H)	762mm(W) x 700mm(D) x 780mm(H)
Refrigerant	R404A, 1.15kg (GWP: 3920, CO2: 4.508t)	R404A, 1.15kg (GWP: 3920, CO2: 4.508t)
Insulation Foam Blowing Agent	HFC-free	HFC-free
Weight	Net: 133kg (Gross: 143kg)	Net: 133kg (Gross: 143kg)
Ambient Temp	5 - 40°C	5 - 40°C
Water Supply Temp	5 - 35°C	5 - 35°C
Water Supply Pressure	0.05 - 0.8 MPa (0.5 - 8 bar)	0.05 - 0.8 MPa (0.5 - 8 bar)
Voltage Range	Rated voltage ± 10%	Rated voltage ± 10%

**Архангельск** (8182)63-90-72  
**Астана** (7172)727-132  
**Астрахань** (8512)99-46-04  
**Барнаул** (3852)73-04-60  
**Белгород** (4722)40-23-64  
**Брянск** (4832)59-03-52  
**Владивосток** (423)249-28-31  
**Волгоград** (844)278-03-48  
**Вологда** (8172)26-41-59  
**Воронеж** (473)204-51-73  
**Екатеринбург** (343)384-55-89  
**Иваново** (4932)77-34-06

**Ижевск** (3412)26-03-58  
**Иркутск** (395)279-98-46  
**Казань** (843)206-01-48  
**Калининград** (4012)72-03-81  
**Калуга** (4842)92-23-67  
**Кемерово** (3842)65-04-62  
**Киров** (8332)68-02-04  
**Краснодар** (861)203-40-90  
**Красноярск** (391)204-63-61  
**Курск** (4712)77-13-04  
**Липецк** (4742)52-20-81  
**Киргизия** (996)312-96-26-47

**Магнитогорск** (3519)55-03-13  
**Москва** (495)268-04-70  
**Мурманск** (8152)59-64-93  
**Набережные Челны** (8552)20-53-41  
**Нижний Новгород** (831)429-08-12  
**Новокузнецк** (3843)20-46-81  
**Новосибирск** (383)227-86-73  
**Омск** (3812)21-46-40  
**Орел** (4862)44-53-42  
**Оренбург** (3532)37-68-04  
**Пенза** (8412)22-31-16  
**Казахстан** (772)734-952-31

**Пермь** (342)205-81-47  
**Россия** (495)268-04-70  
**Ростов-на-Дону** (863)308-18-15  
**Рязань** (4912)46-61-64  
**Самара** (846)206-03-16  
**Санкт-Петербург** (812)309-46-40  
**Саратов** (845)249-38-78  
**Севастополь** (8692)22-31-93  
**Симферополь** (3652)67-13-56  
**Смоленск** (4812)29-41-54  
**Сочи** (862)225-72-31  
**Ставрополь** (8652)20-65-13

**Сургут** (3462)77-98-35  
**Тверь** (4822)63-31-35  
**Томск** (3822)98-41-53  
**Тула** (4872)74-02-29  
**Тюмень** (3452)66-21-18  
**Ульяновск** (8422)24-23-59  
**Уфа** (347)229-48-12  
**Хабаровск** (4212)92-98-04  
**Челябинск** (351)202-03-61  
**Череповец** (8202)49-02-64  
**Ярославль** (4852)69-52-93

<https://hoshizaki.nt-rt.ru/> || [hzo@nt-rt.ru](mailto:hzo@nt-rt.ru)