

Архангельск (8182)63-90-72
Астана (7172)727-132
Астрахань (8512)99-46-04
Барнаул (3852)73-04-60
Белгород (4722)40-23-64
Брянск (4832)59-03-52
Владивосток (423)249-28-31
Волгоград (844)278-03-48
Вологда (8172)26-41-59
Воронеж (473)204-51-73
Екатеринбург (343)384-55-89
Иваново (4932)77-34-06

Ижевск (3412)26-03-58
Иркутск (395)279-98-46
Казань (843)206-01-48
Калининград (4012)72-03-81
Калуга (4842)92-23-67
Кемерово (3842)65-04-62
Киров (8332)68-02-04
Краснодар (861)203-40-90
Красноярск (391)204-63-61
Курск (4712)77-13-04
Липецк (4742)52-20-81
Киргизия (996)312-96-26-47

Магнитогорск (3519)55-03-13
Москва (495)268-04-70
Мурманск (8152)59-64-93
Набережные Челны (8552)20-53-41
Нижний Новгород (831)429-08-12
Новокузнецк (3843)20-46-81
Новосибирск (383)227-86-73
Омск (3812)21-46-40
Орел (4862)44-53-42
Оренбург (3532)37-68-04
Пенза (8412)22-31-16
Казахстан (772)734-952-31

Пермь (342)205-81-47
Россия (495)268-04-70
Ростов-на-Дону (863)308-18-15
Рязань (4912)46-61-64
Самара (846)206-03-16
Санкт-Петербург (812)309-46-40
Саратов (845)249-38-78
Севастополь (8692)22-31-93
Симферополь (3652)67-13-56
Смоленск (4812)29-41-54
Сочи (862)225-72-31
Ставрополь (8652)20-65-13

Сургут (3462)77-98-35
Тверь (4822)63-31-35
Томск (3822)98-41-53
Тула (4872)74-02-29
Тюмень (3452)66-21-18
Ульяновск (8422)24-23-59
Уфа (347)229-48-12
Хабаровск (4212)92-98-04
Челябинск (351)202-03-61
Череповец (8202)49-02-64
Ярославль (4852)69-52-93

<https://hoshizaki.nt-rt.ru/> || hzo@nt-rt.ru

SELF-CONTAINED CRESCENT CUBER
MACHINE A GLACONS CROISSANT AUTONOME
STECKERFERTIGER CRESCENTEISBEREITER
INGEBOUWDE MACHINE VOOR HALVEMAANVORMIGE IJSBLOKJES
MÁQUINA AUTOCONTENIDA DE CUBITOS EN FORMA DE MEDIA LUNA
FABBRICATORE DI GHIACCIO IN CUBETTI A FORMA DI MEZZALUNA CON RISERVA INCORPORATA

KM-40B

KM-55B

KM-80B

INSTRUCTION MANUAL

(original instructions)

NOTICE D'UTILISATION

(instructions traduites)

BEDIENUNGSANLEITUNG

(Übersetzung)

GEBRUIKSAANWIJZING

(vertaalde instructies)

MANUAL DE INSTRUCCIONES

(instrucciones traducidas)

MANUALE D'ISTRUZIONI

(traduzione)

IMPORTANT SAFETY INFORMATION

Throughout this manual, notices appear to bring your attention to situations which could result in death, serious injury, or damage to the unit.

WARNING	Indicates a hazardous situation which, if not avoided, could result in death or serious injury.
CAUTION	Indicates a hazardous situation which, if not avoided, could result in minor or moderate injury.
NOTICE	Indicates a hazardous situation which, if not avoided, could result in damage to the unit.
HYGIENE	Indicates important precautions for hygiene and food safety.
IMPORTANT	Indicates important information about the use and care of the unit.

IMPORTANT

This booklet is an integral and essential part of the product and should be kept and preserved by the user.

Please read carefully the guidelines and warnings contained herein as they are intended to provide the installer/user with essential information for the proper installation and the continued safe use and maintenance of the product.

Please preserve this booklet for any further consultation that may be necessary.

WARNING

This is a commercial icemaker, and should be destined only to be used for the purpose for which it has been expressly designed.

Any other use should be considered improper and therefore dangerous. The manufacturer will not be held liable or responsible for any damage caused by improper, incorrect and unreasonable use.

The installation, and relocation if necessary, must be carried out by qualified personnel, in accordance with current regulations, according to the manufacturer's instructions.

Keep ventilation openings, in the appliance enclosure or in the built-in structure, clear of obstruction.

The use of any electrical appliance involves the observance of some fundamental rules. In particular:

- * Instances of high humidity and moisture increase the risk of electrical short circuits and potential electrical shocks. If in doubt, disconnect the icemaker.
- * Do not damage the power cord or pull it in order to disconnect the icemaker from the electrical supply network.
- * [Europe]
If the supply cord is damaged, it must be replaced by a replacement cord available from Hoshizaki Parts/Service Centres.
- [Other than Europe]
If the supply cord and the plug should need to be replaced, it should only be done by a qualified service engineer.
- * Do not touch the electrical parts or operate the switches with damp hands.
- * This appliance is not intended for use by persons (including children) with reduced physical, sensory or mental capabilities, or lack of experience and knowledge, it can however be used by children aged from 8 years and above and persons with reduced physical, sensory or mental capabilities, or lack of experience and knowledge providing they have been given supervision or instruction concerning use of the appliance by a person responsible for their safety.
- * Children shall not play with the appliance.
- * Cleaning and user maintenance shall not be made by children without supervision.
- * Do not attempt to modify the icemaker. Only qualified personnel may disassemble or repair the appliance.

I. INSTALLATION INSTRUCTIONS

1. UNPACKING

WARNING

Children should not be allowed in reach of the packaging elements (plastic bags and expanded polystyrene) as they are potential sources of danger.

CAUTION

Remove shipping carton, tape(s) and packing. If packing material is left in the icemaker, it will not work properly.

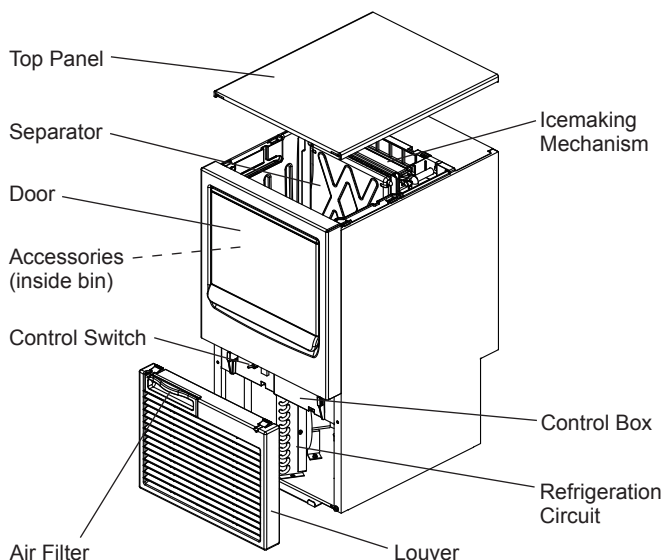


Fig. 1

- 1) After removing the packaging, make sure that the icemaker is in good condition. If in doubt, please do not use the equipment but apply to professionally qualified personnel.
- 2) Remove shipping tape holding the door and separator.
- 3) Remove the protective plastic film from the exterior. If the icemaker is exposed to the sun or to heat, remove the film after the icemaker cools.
- 4) Remove the package of accessories, and check the contents:

a) Outlet Hose	1
b) Scoop	1
c) Adjust Bolt	4
d) Power Supply Cord (European model)	1

2. LOCATION

IMPORTANT

1. This icemaker is not intended for outdoor use. Normal operating ambient temperature should be within 7°C to 40°C. Normal operating water temperature should be within 7°C to 35°C. Operation of the icemaker, for extended periods, outside of these normal temperature ranges may affect production capacity.
2. The icemaker should not be located next to ovens, grills or other high heat producing equipment.
3. The location should provide a firm and level foundation for the equipment.
4. Allow 15 cm clearance at rear and sides for proper air circulation and ease of maintenance and/or service should they be required.
5. This appliance is not suitable for installation in an area where a water jet could be used and where dripping is not allowed.

6. Do not place anything on top of the icemaker or in front of the louver.
7. This icemaker will not work at subfreezing temperatures. To prevent damage to the water supply line, drain the icemaker when air temperature is below zero (see "II. 2. PREPARING THE ICEMAKER FOR LONG STORAGE").

3. INSTALLATION

- * Incorrect installation can cause harm to people, animals or things, for which the manufacturer cannot be held responsible.
- * Place the icemaker in the selected permanent site.
- * The appliance must be positioned so that the plug is accessible.

4. ELECTRICAL CONNECTIONS

WARNING

THIS APPLIANCE MUST BE EARTHED

This icemaker requires an earth that meets the national and local electrical code requirements. To prevent possible severe electrical shock to individuals or extensive damage to equipment, install a proper earth wire to the icemaker. Remove the plug from the mains socket before any maintenance, repairs or cleaning is undertaken.

- * This appliance requires a separate 220 - 240VAC, 10A supply. The electrical supply must be protected by a suitable circuit breaker.
- * The main control box fuse is rated at 5A and should only be replaced by a qualified service engineer.
- * Usually an electrical permit and services of a licensed electrician are required.

For the U.K. and the Republic of Ireland only

- * The wires in the mains lead are coloured in accordance with the following code:
 - Green & Yellow = Earth
 - Blue = Neutral
 - Brown = Live

As the colours of the wire in the mains lead of this appliance may not correspond with the coloured markings identifying the terminals in your plug, proceed as follows:

The wire which is coloured Green-and-Yellow must be connected to the terminal in the plug which is marked with the letter E or by the symbol \equiv or coloured Green or Green-and-Yellow. The wire which is coloured Blue must be connected to the terminal which is marked with the letter N or coloured Black. The wire which is coloured Brown must be connected to the terminal which is marked with the letter L or coloured Red.

- * Should the socket outlets in the installation site not be suitable for the plug supplied with your product, the plug must be removed (cut off if it is moulded on plug) and an appropriate plug fitted.
- If the non-rewirable plug has been cut from the power supply cord, it must be disposed of. There should be no attempt to reuse it. Inserting such a plug into a socket elsewhere presents a serious risk of electrical shock.
- * The non-rewirable plug must never be used without a fuse cover being fitted.

The correct replacement for the detachable fuse cover is identifiable from the manufacturer's reference number stamped on the plug.

Supply of replacement fuse covers can be obtained from Hoshizaki Parts/Service Centres.

Fuses should be rated at 10A and approved to BS 1362.

5. WATER SUPPLY AND DRAIN CONNECTIONS

WARNING

Connect to potable water supply only.

- * The connections to the mains water supply must be made in accordance with the countries' current requirements of the Water Supply or Water Fittings Regulations.
- * Icemaking water must be potable water. Where scaling can be caused by water quality, installation of an external filter or softener is recommended. Contact your local water treatment professional or Hoshizaki service agent.
- * Water supply pressure should be minimum 0.07 MPa (0.7 bar) and maximum 0.8 MPa (8 bar). If the pressure exceeds 0.8 MPa (8 bar), use a pressure reducing valve. Do **NOT** throttle back the supply tap.
- * Be sure to use the new hose-sets supplied with the appliance. Do not reuse any old hose-sets.
- * A plumbing permit and services of a licensed plumber may be required in some areas.
- * Water should drain into an open trap.
- * The icemaker drain is gravity flow, so ensure drain pipe has an adequate pitch or fall.
- * To prevent a backflow into the storage bin, the outlet hose must be laid as shown in Fig. 2.

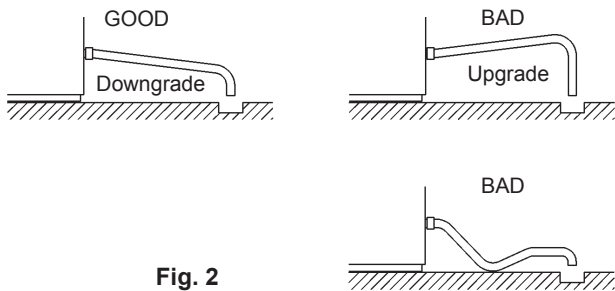
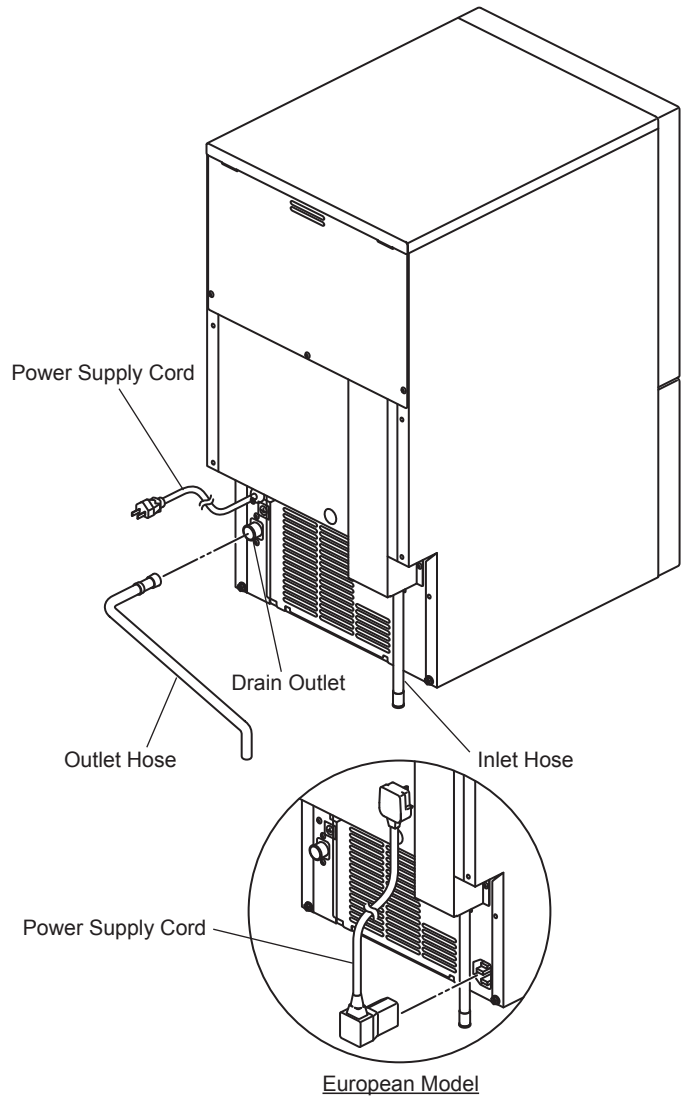


Fig. 2

- 1) Attach the free end of inlet hose to the stop valve (Fig. 4), noting washer is correctly positioned. Hand tighten sufficiently to provide leak free joint. It is a wise precaution to have the stop valve within easy reach.
- 2) Hand tighten grey flexible outlet hose (accessory) onto the fitting on the rear of the icemaker as indicated (Fig. 3), ensuring rubber sealing washer is correctly positioned to obtain a leak free joint. The pipe can be cut to length as necessary to suit position of main drain. To prevent water leaks, secure the outlet hose to the drain outlet by using a hose band.

Note: Jointing compounds should be approved and suitable for potable water use.



European Model

Fig. 3

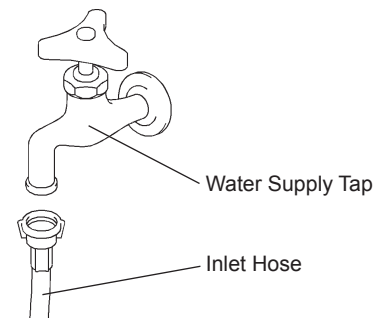


Fig. 4

II. OPERATING INSTRUCTIONS

WARNING

1. This icemaker is designed to produce and store edible ice. To keep the icemaker hygienic:
 - * Wash your hands before removing ice. Use the plastic scoop provided (accessory).
 - * The storage bin is for ice use only. Do not store anything else in the bin.
 - * Clean the storage bin before use (see "III. 1. CLEANING").
 - * Keep the scoop clean. Clean it by using a neutral cleaner and rinse thoroughly.
 - * Close the door after removing ice to prevent entrance of dirt, dust or insects into the storage bin.

2. All parts are factory-adjusted. Improper adjustments may result in failure.
3. If the unit is turned off, wait for at least 3 minutes before restarting the icemaker to prevent damage to the compressor.

1. OPERATION

The installer will normally commission the icemaker to start the automatic icemaking process. To ensure continuous operation, make sure that:

- * The water supply tap is on,
- * The icemaker is plugged into the power supply, and
- * The control switch is in the "ICE" position (remove the air filter to check).

2. PREPARING THE ICEMAKER FOR LONG STORAGE

- 1) Move the control switch to the "OFF" position.
- 2) Unplug the icemaker or disconnect the power supply.
- 3) Close the water supply tap, and remove the inlet hose.
- 4) Remove all ice from the storage bin, and clean the bin.
- 5) Disconnect the silicone hose to drain the water from the water tank. Reconnect the silicone hose back in its correct position after all of the water has drained. See Fig. 5.

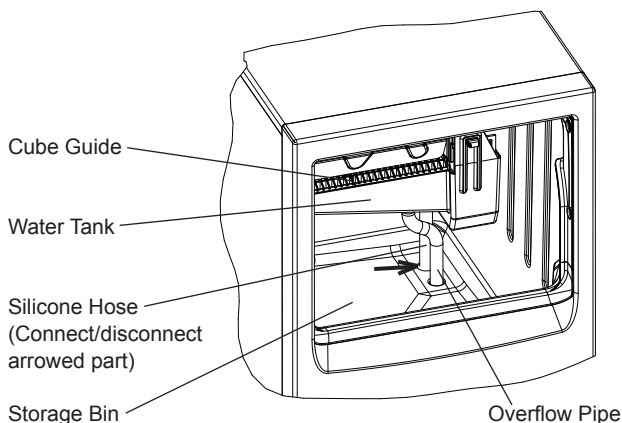


Fig. 5

III. MAINTENANCE

1. CLEANING

WARNING

1. Before carrying out any cleaning or maintenance operations, unplug the icemaker from the electrical supply network.
2. Ask a trained service person to check and clean the condenser at least once a year.
3. This appliance must not be cleaned by use of a water jet.
4. Do not use any alcohol for cleaning/sanitisation of the icemaker. It may cause cracks on the plastic parts.
5. Do not remove the top panel and louver. Only a qualified service person should remove them.
6. To prevent possible damage, do not clean the plastic parts with water above 40°C or in a dishwasher.

[1] Exterior

Wipe the exterior at least once per week with a clean, soft cloth. Use a damp cloth containing a neutral cleaner to wipe off grease or dirt.

[2] Scoop and Bin Door Grip Cleaning/Sanitisation (Daily)

1) Either mix 3 litres of water with 11 ml of 5.25% sodium hypochlorite solution in a suitable container, or the recommended Hoshizaki sanitiser as directed.

2) Soak the scoop in the solution for more than 3 minutes. Rinse thoroughly, and shake to remove surplus liquid.

Note: Using a cloth to dry may re-contaminate.

3) Use a neutral cleaner to wash the bin door grip. Rinse thoroughly.

4) Soak a clean cloth with the sanitising solution, and wipe the grip. Use fresh water and a clean cloth to rinse/dry.

[3] Storage Bin Interior Cleaning/Sanitisation (Weekly)

1) Open the storage bin door, and remove all ice.

2) Wash the bin liner with a neutral non-abrasive cleaner. Rinse thoroughly.

3) Soak a clean cloth with the neutral cleaner, and wipe the door inner surface. Wipe off the cleaner with a clean damp cloth.

4) Either mix 3 litres of water with 11 ml of 5.25% sodium hypochlorite solution in a suitable container or the recommended Hoshizaki sanitiser as directed.

5) Soak a clean sponge or cloth with the solution, and wipe the bin liner and bin door.

6) Rinse thoroughly with fresh water and a clean cloth to wipe off the solution. Close the bin door.

Note: Some solutions may cause damage to the bin liner surfaces or corrosion on the metal parts. Always rinse the sanitiser unless directed otherwise by Hoshizaki guidelines.

[4] Air Filter

Plastic mesh air filters remove dirt or dust from the air, and keep the condenser from getting clogged. If the filters get clogged, the icemaker's performance will be reduced. Remove and clean the air filters at least twice per month:

1) Remove the air filter.

Note: Do not put your hand inside the machine compartment.

2) Clean the air filter by using a vacuum cleaner. When severely clogged, use warm water and a neutral cleaner to wash the air filter.

3) Rinse and dry the air filter thoroughly, and place it in position.

[5] Icemaking Water System

To keep the icemaker hygienic, periodic cleaning of the icemaking water system is recommended. Always ask a trained service person to clean the water system.

Note: The user is allowed to move the control switch to the "ICE" or "OFF" position. Only a qualified service person should move it to the "WASH" position to flush the icemaking water system.

Front View with Louver Removed

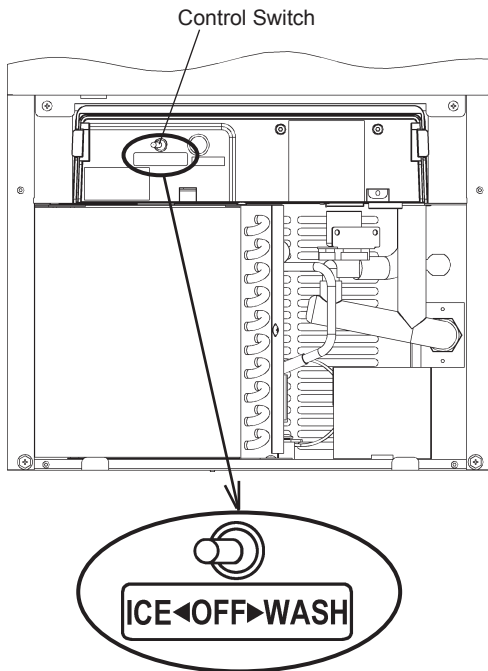


Fig. 6

2. BEFORE CALLING A SERVICE AGENT

WARNING

Do not damage the refrigerant circuit.

If the icemaker does not work properly or does not work at all, before calling for service, check that:

- * The power is supplied to the unit.
- * The control switch is in the "ICE" position.
- * The water is turned on.
- * The air filter is clean.

For further assistance or advice, contact your local Hoshizaki service agent.

3. WARRANTY

Hoshizaki warrants to the original owner/user that all Hoshizaki branded products shall be free of defects in material and/or workmanship for the duration of the "warranty period". The warranty shall be effective for two years from the date of installation.

Hoshizaki's liability under the terms of the warranty are limited and shall exclude routine servicing, cleaning, essential maintenance and/or repairs occasioned by misuse and installations not in accordance with Hoshizaki guidelines.

Warranty repairs should be completed by an approved Hoshizaki dealer or service agency using genuine Hoshizaki components.

To obtain full details of your warranty and approved service agency, please contact your dealer/supplier, or the nearest Hoshizaki Service office:

Архангельск (8182)63-90-72
Астана (7172)727-132
Астрахань (8512)99-46-04
Барнаул (3852)73-04-60
Белгород (4722)40-23-64
Брянск (4832)59-03-52
Владивосток (423)249-28-31
Волгоград (844)278-03-48
Вологда (8172)26-41-59
Воронеж (473)204-51-73
Екатеринбург (343)384-55-89
Иваново (4932)77-34-06

Ижевск (3412)26-03-58
Иркутск (395)279-98-46
Казань (843)206-01-48
Калининград (4012)72-03-81
Калуга (4842)92-23-67
Кемерово (3842)65-04-62
Киров (8332)68-02-04
Краснодар (861)203-40-90
Красноярск (391)204-63-61
Курск (4712)77-13-04
Липецк (4742)52-20-81
Киргизия (996)312-96-26-47

Магнитогорск (3519)55-03-13
Москва (495)268-04-70
Мурманск (8152)59-64-93
Набережные Челны (8552)20-53-41
Нижний Новгород (831)429-08-12
Новокузнецк (3843)20-46-81
Новосибирск (383)227-86-73
Омск (3812)21-46-40
Орел (4862)44-53-42
Оренбург (3532)37-68-04
Пенза (8412)22-31-16
Казахстан (772)734-952-31

Пермь (342)205-81-47
Россия (495)268-04-70
Ростов-на-Дону (863)308-18-15
Рязань (4912)46-61-64
Самара (846)206-03-16
Санкт-Петербург (812)309-46-40
Саратов (845)249-38-78
Севастополь (8692)22-31-93
Симферополь (3652)67-13-56
Смоленск (4812)29-41-54
Сочи (862)225-72-31
Ставрополь (8652)20-65-13

Сургут (3462)77-98-35
Тверь (4822)63-31-35
Томск (3822)98-41-53
Тула (4872)74-02-29
Тюмень (3452)66-21-18
Ульяновск (8422)24-23-59
Уфа (347)229-48-12
Хабаровск (4212)92-98-04
Челябинск (351)202-03-61
Череповец (8202)49-02-64
Ярославль (4852)69-52-93

IV. DISPOSAL

Comply with local regulations regarding disposal of this appliance and its refrigerant gas. Before you scrap the appliance, take off the door to prevent children trapped.

Correct disposal of this product:

This marking indicates that this product should not be disposed with other household wastes throughout the EU. To prevent possible harm to the environment or human health from uncontrolled waste disposal, recycle it responsibly to promote the sustainable reuse of material resources.



To return your used device, use the return and collection systems or contact the retailer where the product was purchased. They can take this product for environmental safe recycling.

WARNING



The insulation foaming agent used for the unit body contains flammable gas cyclopentane. With this in mind, dispose of the product properly.

This product includes a hermetically sealed refrigeration system that contains fluorinated greenhouse gases:

KM-40B	R134a / GWP 1430 / 0.14kg / CO2 0.200t
KM-40B (Philippines)	R134a / GWP 1430 / 0.20kg / CO2 0.286t
KM-55B	R134a / GWP 1430 / 0.21kg / CO2 0.300t
KM-55B (Philippines)	R134a / GWP 1430 / 0.22kg / CO2 0.315t
KM-80B	R134a / GWP 1430 / 0.24kg / CO2 0.343t